

### Description

The NuVent 504 fan offers new style and flexibility with a 4" diameter duct. Featuring a curved grille designed for efficient airflow, the 504 is ideal for baths, powder rooms and utility rooms from 45 to 65 sq ft. This fan can be mounted in a side wall installation.

### Features

#### Grille

- Attractive curved styling with soft rounded profile.
- Textured, white polymeric.
- Mounts directly to housing with torsion springs.

#### Housing

- One piece galvanized steel construction.
- Extended discharge collar for easy attachment to 4" diameter duct.
- Mounts directly to joist with mounting tabs.
- Side wall or ceiling mount.
- Large removable wiring compartment.

#### Blower

- Removable blower with easy slide-in mounting.
- Plug in motor rated for 120 volts 60 Hz operation.

#### Other

- This product is approved for use over tub/shower enclosures when installed in a GFI protected branch circuit.
- Built in backdraft damper.

### Performance

- Air Delivery - 50cfm @ .1"w.g. s.p.
- Sound Level - 4.0 sones
- Volts - 120
- Hertz - 60
- Amps - 0.9
- Watts - 44
- Duct - 4" round



The Home Ventilating Institute has tested and certified the airflow performance (CFM) and sound levels (sones) of this product.

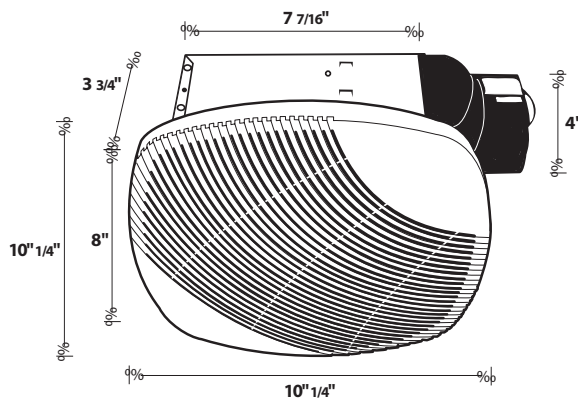
### General

This product has been evaluated by Underwriters Laboratories and conforms to both UL and CSA safety standards.

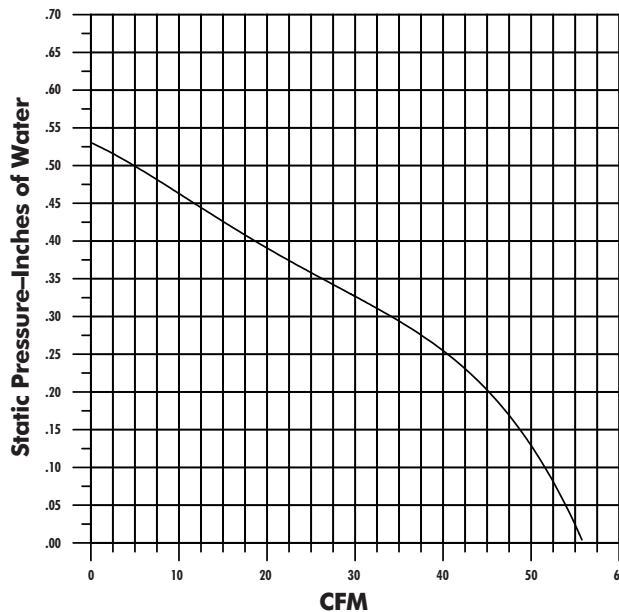


### Specifications

NuVent ventilator model 504. The ventilator shall be constructed with a galvanized steel housing and 4" diameter discharge collar. The blower unit shall be removable with a permanently lubricated, plug-in motor. Air delivery and sound levels shall be certified by HVI at the levels listed for this model. All units shall be UL listed.



**NuVent Product Performance**  
**Model NX504**



SPECIFICATION			PROJECT:
Reference	Quantity	Comments	Location:
			Architect:
			Engineer:
			Contractor:
			Submitted by:
			Date: